

Project idea/ Field of expertise:

- 1) Energy-efficiency in a natural & heterogenous material manufacturing system
- 2) Quality control of tunnel lining supply chain

Organisation Name:

Herrenknecht AG

(Use Case – Industrial Partner)

Adressed challenge(s)/ PPP(s):

Secure, clean and efficient energy

Smart, green and integrated transport

Climate action, environment, resource efficiency and raw materials

Adressed topic(s) in Work Programme:

DT-FOF-09 (1)

DT-FOF-11 (2)

HERRENKNECHT

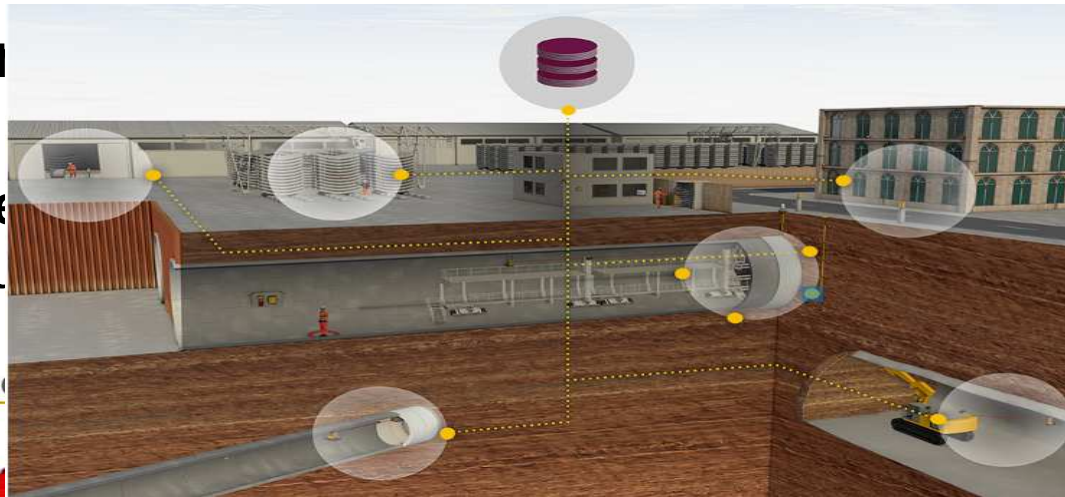


- Tunnel Boring Machine manufacturer
- Technical solutions for underground infrastructure projects around the world
- EU-Funding: e.g. DRAGON & TUNCONSTRUCT



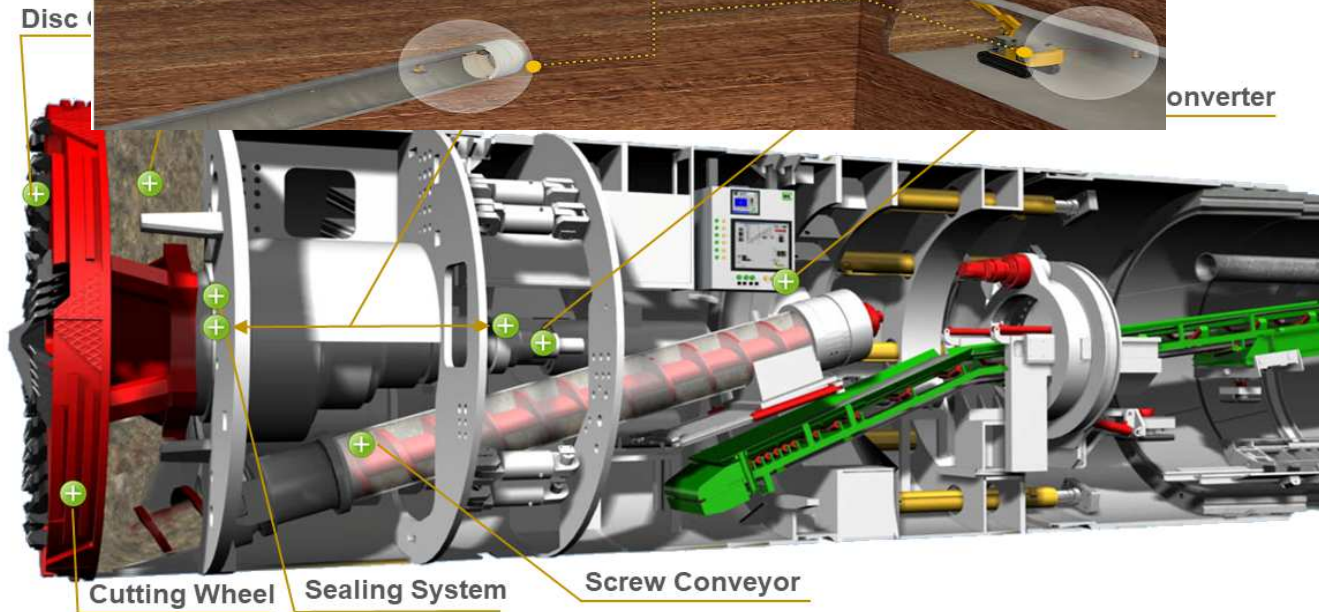
Our project idea / expertise

- 1) Energy Optimization of the production process (management of the production process with **natural** energy via recycling conveyor belt)



management
with **natural**
energy via recycling
conveyor belt)

- 2) Cutting Wheel, Sealing System, Screw Conveyor, and intelligent automation



smart
automated

Contact details

Contact person	Dr. Daniela Garroux de Oliveira
Organisation	Herrenknecht AG – R&D Dept.
Adress	Schlehenweg 2, Schwanau, Germany
Phone	+49 7824 302-7761 / 1525 200-6667
E-mail	oliveira.daniela@herrenknecht.de



27/06/2019 - BE KETs-360

